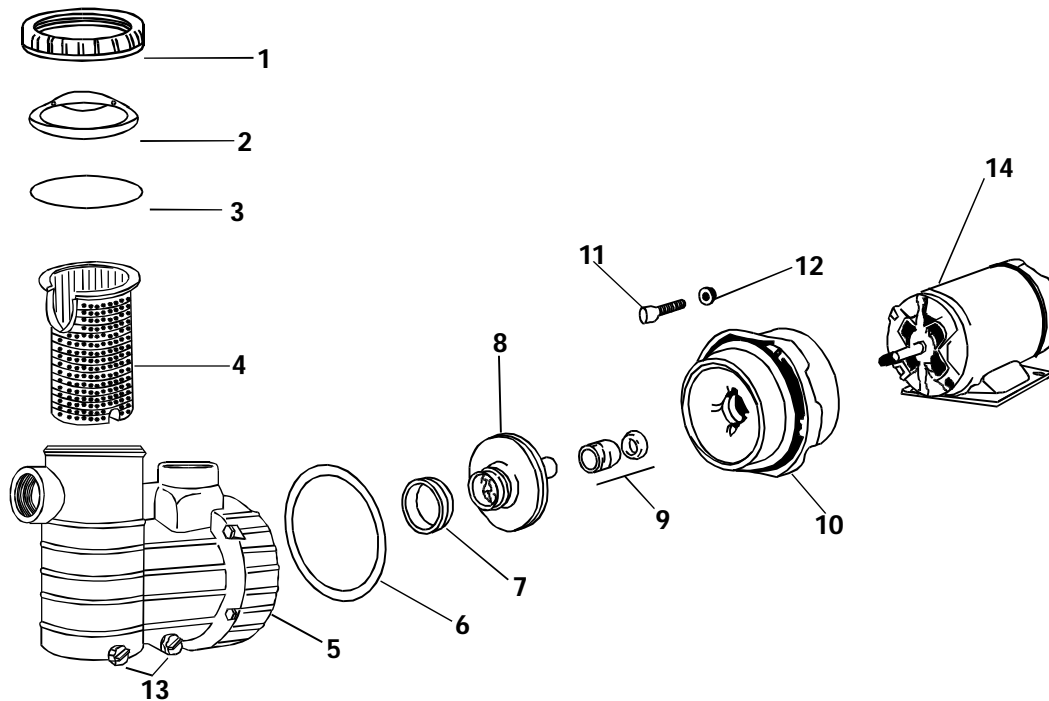


LISTA DE PARTES

- 0201-2001 MOTOBBA C5LR-M IMP JACUZZI (NUEVA)
 0201-2002 MOTOBBA C7LR-M IMP JACUZZI (NUEVA)
 0201-2003 MOTOBBA C1LR-M IMP JACUZZI (NUEVA)



Nº	CODIGO	DESCRIPCION	CANT.
1	9242-3008	ANILLO FUJAC TAPA PREF BBA LR	1
2	9242-3016	TAPA TRANSP PREF BBA LR	1
3	9247-1008	ARO SELLO 4.7/8x5.1/4x3/16 LR	1
4	9202-1023	CANASTILLO PREF LR NVO	1
5	9242-3024	CUERPO PREFILTRO BBA LR NVO	1
6	9213-1005	EMPAQ CUADR 6x1/8x1/8 P/LR	1
	9310-1006	SELLO FLOTANTE P/BBAS JCU	1
8a	9205-1006	IMPULSOR 94mm DIA P/C5LR	1
8b	9205-1007	IMPULSOR 102mm DIA P/C7LR	1
8c	9205-1008	IMPULSOR 107mm DIA P/C1LR	1
9	9110-1001	SELLO MEC 5/8" DIAM	1
10	9202-1004	UNION BOMBA LR	1
11	S/C	PERNO C/HEX SS 10X24X1.1/4"	6
12	S/C	TUERCA HEX SS 10X24	6
13	9242-1122	TAPON 1/4" C/O'RING P/LR-H	1
14a	8201-1001	MOTOR 0.50HP 220VOLTS 50HZ	1
14b	8201-1003	MOTOR 0.75HP 220VOLTS 50HZ	1
14c	8201-1005	MOTOR 1.00HP 220VOLTS 50HZ	1