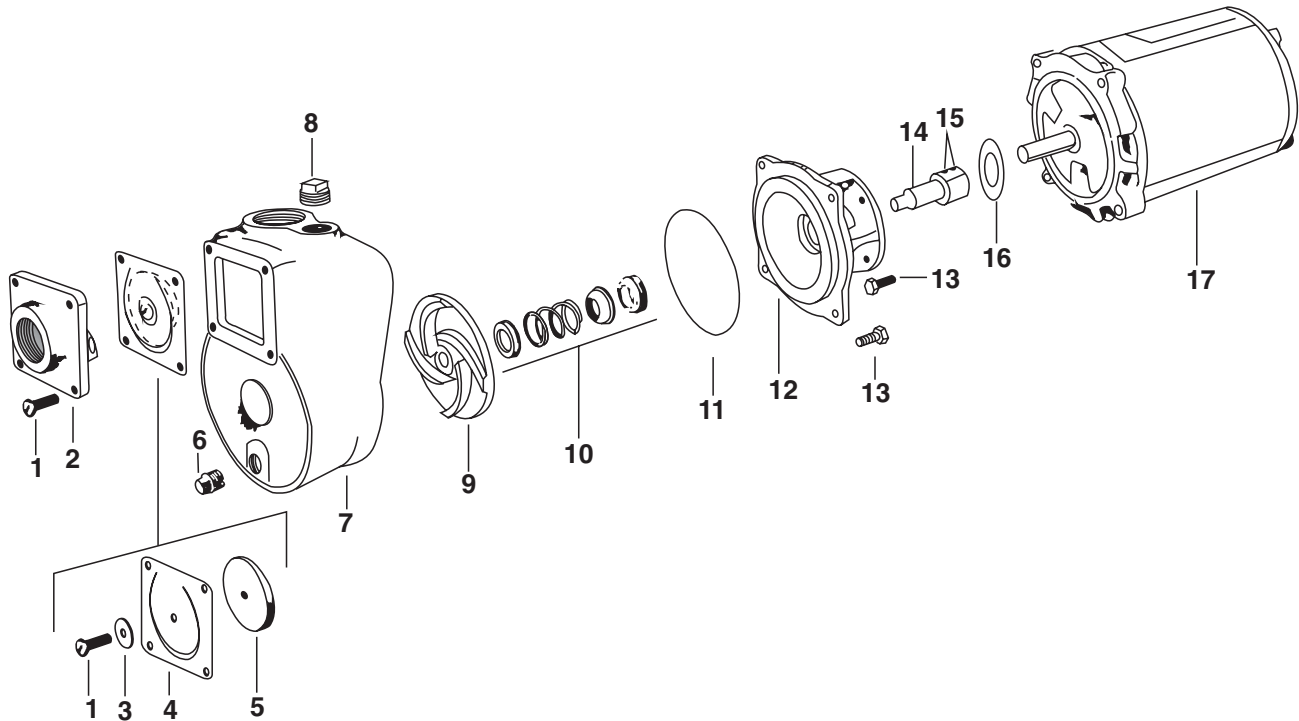


### LISTA DE PARTES PARA BOMBA MODELO 0103-4502 MBBA TRIF C2 JM 2 - T



| Nº | CODIGO    | DESCRIPCION                    | CANT. |
|----|-----------|--------------------------------|-------|
| 1  | 8114-1500 | PERNO C/HEX 5/16NCx3/4         | 5     |
| 2  | 8116-1508 | CPO VALV RET JM2 MAQ           | 1     |
| 3  | 8114-3550 | GOL PLANA 5/16" DIA CAL        | 1     |
| 4  | 8113-1506 | EMPAQ VALV RET Jm2             | 1     |
| 5  | 8135-1500 | CONTRAPESO VALV RET Jm2        | 1     |
| 6  | 8131-1531 | TAPA TORNILLO GALV CC 1/2BSP   | 1     |
| 7  | 8103-1529 | VOLUTA 4972 x2" DESC BRZL      | 1     |
| 8  | 8131-1532 | TAPA TORNILLO GALV CC 3/4BSP   | 1     |
| 9  | 8105-1047 | IMPUL 3499 x 130 DIA - 11      | 1     |
| 10 | 8110-1001 | SELLO MEC 3/4"                 | 1     |
| 11 | 8147-1027 | ARO SELLO 3/32 x 5.3/16"       | 1     |
| 12 | 8102-1540 | UNION 3220 4.1/2Mx5.3/16V MAQ  | 1     |
| 13 | 8114-1502 | PERNO C/HEX 3/8NCx3/4          | 8     |
| 14 | 8107-1505 | EJE CPL 5/8Mx3/4B-9/16 NF P/CT | 1     |
| 15 | 8114-6600 | PRIS ALLEN 5/16"x3/8"UNC       | 2     |
| 16 | 8314-3006 | GOL 24x55x3mm CORTA AGUA       | 1     |
| 17 | 8101-1205 | MOTOR TRIF 2HP-2P EJE STD      | 1     |